

Dual Plate Check Valve

Non Return Valve

PRODUCT DATA



GENERAL

The BSV4-CWD Dual Plate Check Valves is designed for Chilled & Hot Water for purpose non-return valve that is stronger, lighter in weight and smaller in size as compared to other Check valve.

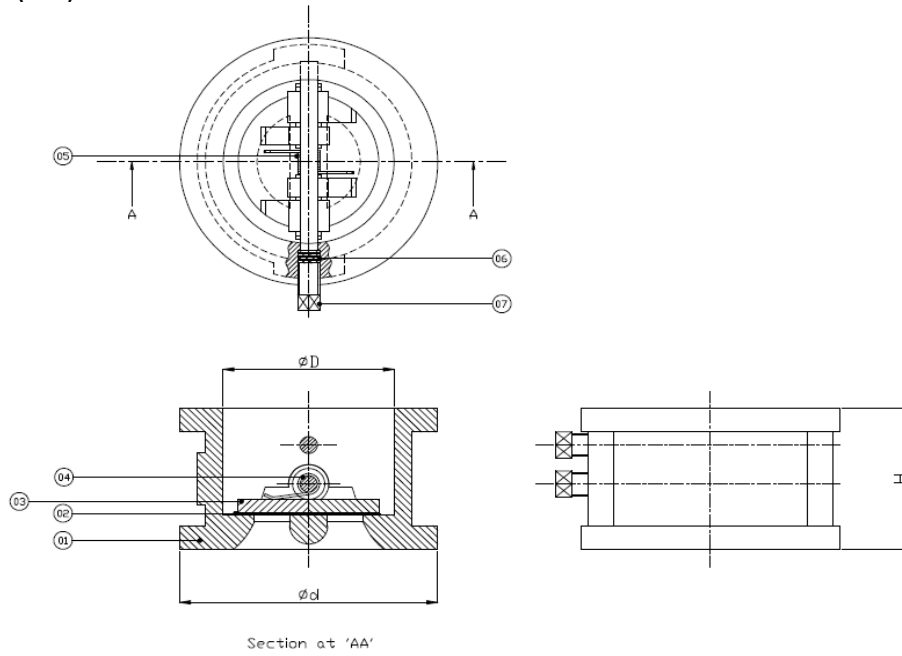
FEATURES

- Wide Size range (DN50...DN300)
- Cast iron Body
- Lapped Ductile Iron disc
- Wafer type and flange type Connection

SPECIFICATIONS

Sizes	DN50...DN300
Nominal pressure	PN16
Medium Temperature	-10°C ~ +110°C Maximum
Body Material	IS:210, FG 220 CI
Shaft Material	ASTM A276,GR SS 410
Plate Material	Lapped Ductile Iron Disc
Seal	EPDM
Medium Type	Water
Flange standard	ISO7005-1 (GB/T 9113)
Shell Test pressure	24bar
Seal Test pressure	16bar

DIMENSIONS (mm)



Part Descriptions

PT No.	PART NAME	MATERIAL
01	BODY	IS:210 Gr FG200
02	SEAT	EPDM
03	PLATES	D.I. (LAPPED)
04	SHAFT	ASTM A 276, GR SS410
05	SPRING	AISI 302
06	O RING	NITRILE
07	PLUG	M. S. (CHROME PLATED)
08	FASTNER	STAINLESS STEEL

Outside Dimension (mm)

SIZE	50	65	80	100	125	150	200	250	300
Ø D	63.00	75.00	92.00	116.00	145.00	169.00	220.00	273.00	324.00
Ø d	95.00	110.00	130.00	160.00	188.00	212.00	280.00	340.00	410.00
H	54.00	54.00	57.00	64.00	70.00	76.00	95.00	108.00	143.00

Model Table

Size	Model Number	Description
DN50	BSV4-CWD-GP16-G050	BS Check Valve CI Body DI Seat 2" Wafer – Dual Plate check valve (Non return Valve)
DN65	BSV4-CWD-GP16-G065	BS Check Valve CI Body DI Seat 2 1/2" Wafer – Dual Plate check valve (Non return Valve)
DN80	BSV4-CWD-GP16-G080	BS Check Valve CI Body DI Seat 3" Wafer – Dual Plate check valve (Non return Valve)
DN100	BSV4-CWD-GP16-G100	BS Check Valve CI Body DI Seat 4" Wafer – Dual Plate check valve (Non return Valve)
DN125	BSV4-CWD-GP16-G125	BS Check Valve CI Body DI Seat 5" Wafer – Dual Plate check valve (Non return Valve)
DN150	BSV4-CWD-GP16-G150	BS Check Valve CI Body DI Seat 6" Wafer – Dual Plate check valve (Non return Valve)
DN200	BSV4-CWD-GP16-G200	BS Check Valve CI Body DI Seat 8" Wafer – Dual Plate check valve (Non return Valve)
DN250	BSV4-CWD-GP16-G250	BS Check Valve CI Body DI Seat 10" Wafer – Dual Plate check valve (Non return Valve)
DN300	BSV4-CWD-GP16-G300	BS Check Valve CI Body DI Seat 12" Wafer – Dual Plate check valve (Non return Valve)

Note: valve sizes up to DN600 are also available. Please contact local sales for details.

Honeywell

Environmental and Combustion Controls
Honeywell Automation India Limited.
56 & 57, Hadapsar Industrial Estate,
Pune- 411013 - India

Subject to change without notice, Printed in India.